

***HOBBY (B-SERIES) ENGINE
TECHNICAL MANUAL***



you and us

welcome to the age of turbojet models! swiwin is ready to take you to experience different flight fun!

firstly, please carefully read this manual to have a comprehensive understanding and impression of the engine, engine components, and operating process, in order to ensure the safe operation and optimal performance of the engine.

this manual will introduce you to how to install, operate, and maintain the engine. if you still have any questions, please feel free to contact us.

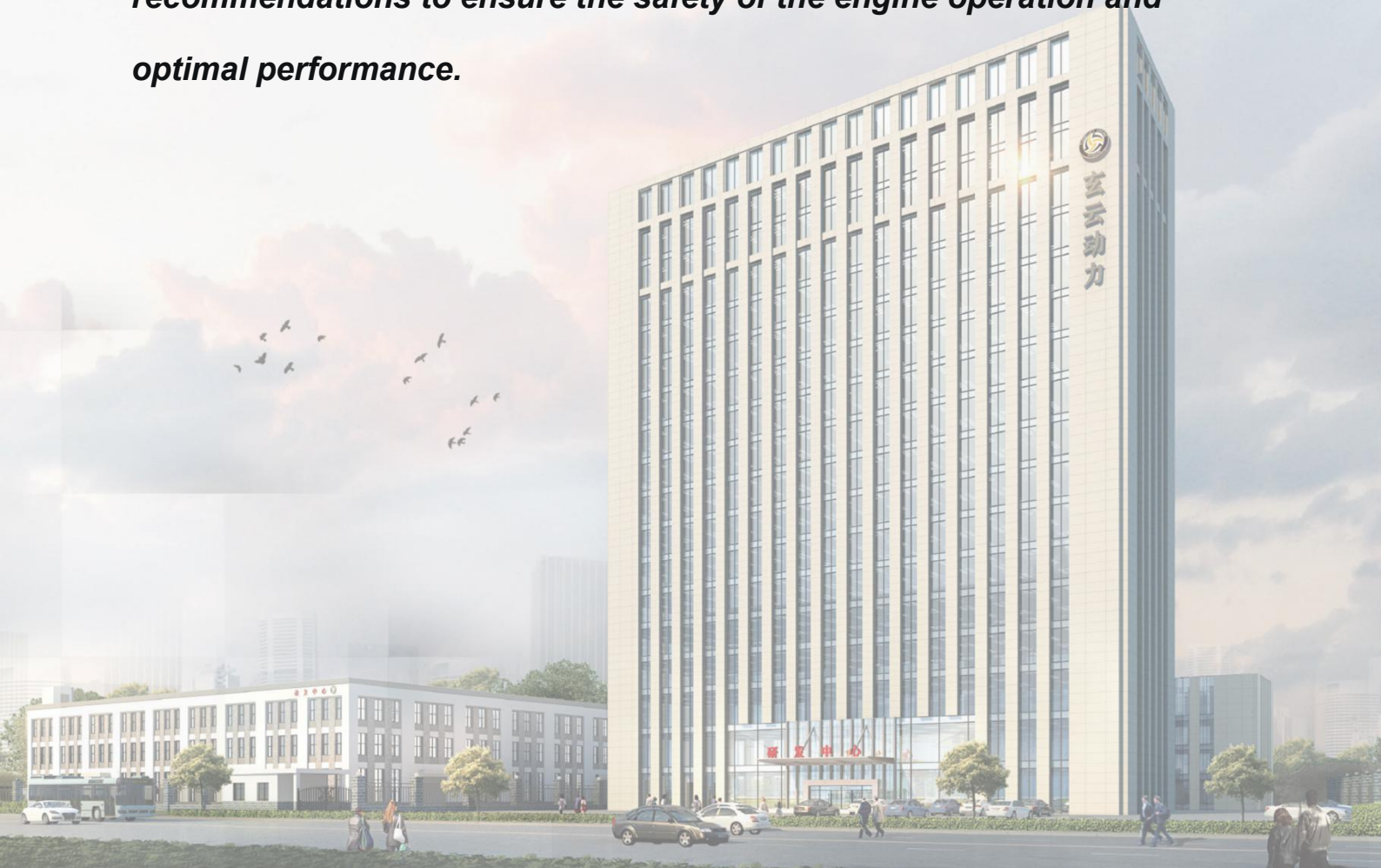
we will wholeheartedly provide you with sales, technical, and after-sales

support services for the swiwin hobby engine. this instruction manual

aims to provide users with detailed usage guidelines and

recommendations to ensure the safety of the engine operation and

optimal performance.



CATALOGUE

1.PRODUCT OVERVIEW.....	3
2.PRODUCT SIZE DIAGRAM.....	4
2.1 DIMENSIONAL DRAWING.....	4
2.2 BASIC ENGINE PARAMETERS.....	6
2.3 PARAMETERS OF ENGINE OPERATION CONTROL.....	8
3. SAFETY INSTRUCTIONS.....	11
4.INSTALLATION AND DEBUGGING.....	13
5. ENGINE USAGE INSTRUCTIONS.....	13
5.1 LIST OF ENGINE ACCESSORIES.....	13
5.2 OVERVIEW OF ENGINE CONNECTIONS.....	14
5.3 INSTRUCTIONS FOR CONNECTING ENGINES WITH DIFFERENT STARTING MODES.....	15
5.4 ONE CLICK START.....	18
5.5 GSU USER MANUAL.....	18
5.6 ECU USAGE INSTRUCTIONS.....	23
6. ENGINE DEBUGGING.....	28
6.1 SET OPERATION MODE.....	28
6.2 CHECKLIST.....	28
6.3 ENGINE START AND STOP.....	29
6.4 STARTING AND STOPPING WITH REMOTE CONTROL.....	29
6.5 PC SIDE CONTROLS START AND STOP.....	30

7. ENGINE OPERATING STATUS AND FAULT DESCRIPTION.....	31
8. COMMON PROBLEM ELIMINATION.....	32
8.1 COMMON PROBLEM ELIMINATION.....	32
8.2 ECU ERROR FAULT ANALYSIS.....	33
9.COMPATIBILITY.....	35
9.1 COMPATIBILITY OF SERIAL PORT ADAPTER CABLE CONNECTORS.....	35
9.2 UPGRADER COMPATIBILITY.....	35
10. STORAGE AND LUBRICATION.....	35
11. ENGINE MAINTENANCE AND UPKEEP.....	36
12. AFTER SALES SERVICE.....	36

1.PRODUCT OVERVIEW

the overall design of the swiwin model version engine is integrated, easy to install, and easy to operate. the engine as a whole consists of several parts, including the body, external ecu controller, external oil pump, and various connecting harnesses.

ELECTRONIC COMPONENTS INTEGRATED WITHIN THE ENGINE BODY:

- *tcu (electronic control unit)*
- *brushless starter motor*



ECU CONTROLLER COMPONENTS:

- *ecu (electronic control unit)*



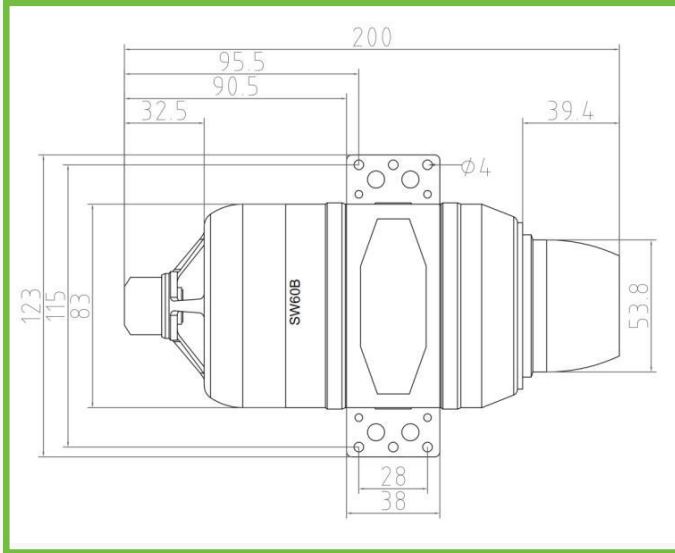
- BRUSHLESS PUMP



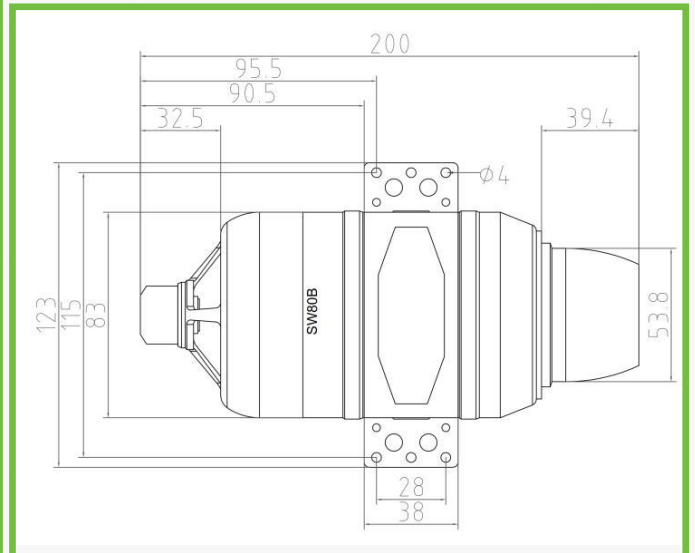
2.PRODUCT SIZE DIAGRAM

2.1 DIMENSIONAL DRAWING

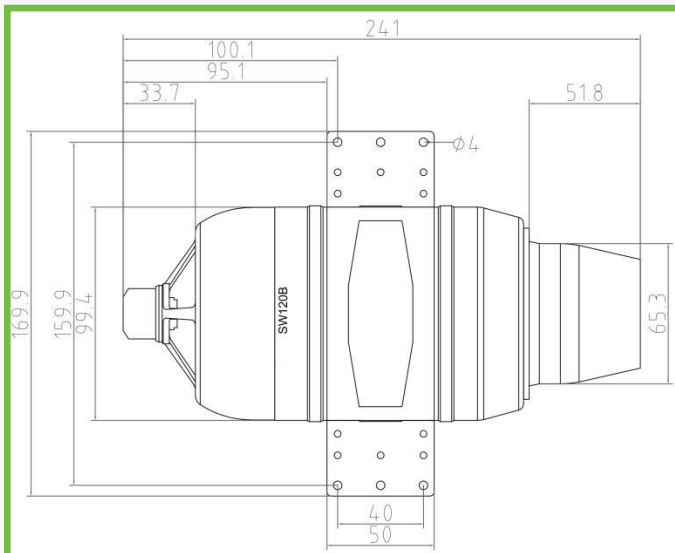
SW60B



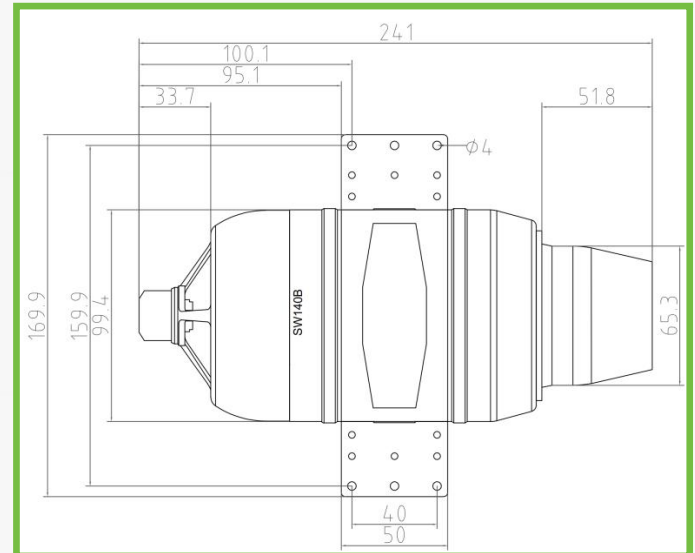
SW80B



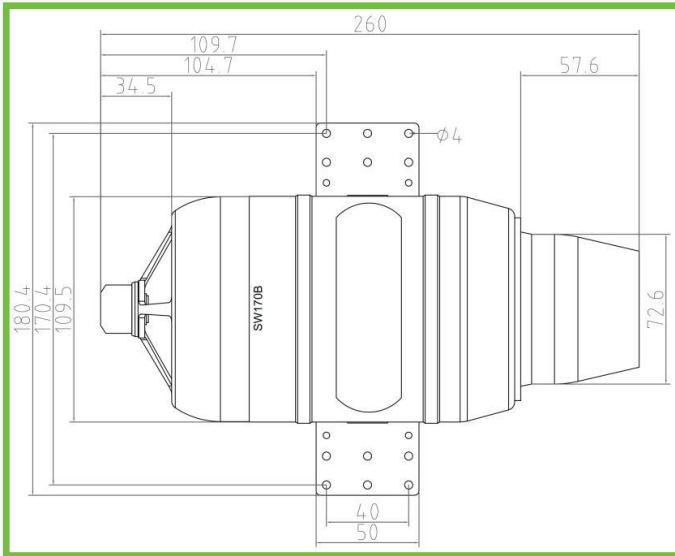
SW120B



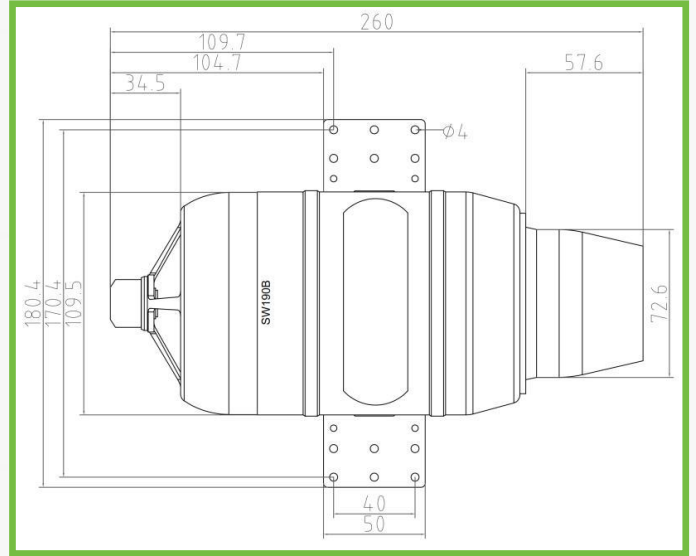
SW140B



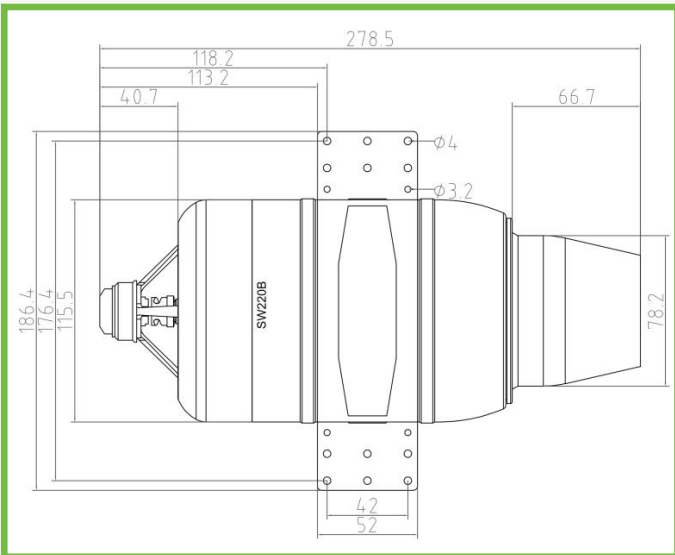
SW170B



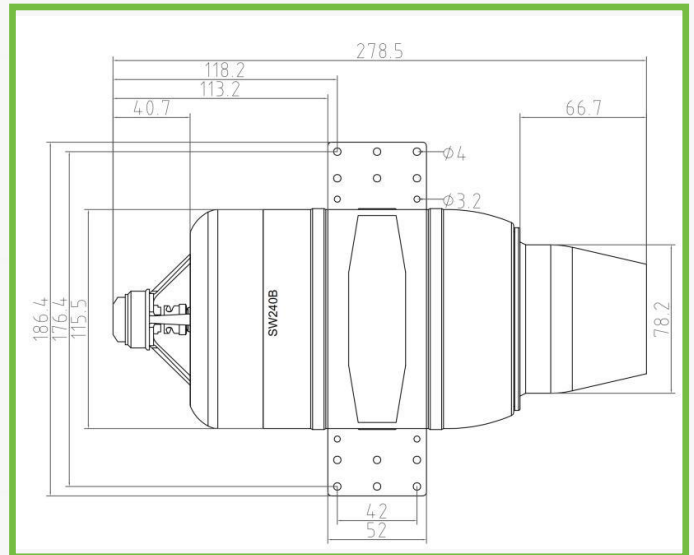
SW190B



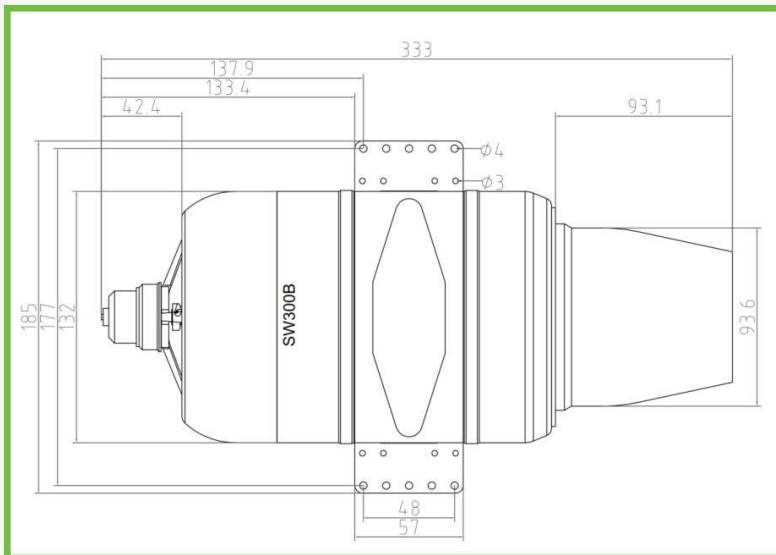
SW220B



SW240B



SW300B



2.2 BASIC ENGINE PARAMETERS

PROJECT	SW60B	SW80B	SW120B	SW140B
thrust	6kg	8kg	12kg	14kg
diameter (mm)	83mm	83mm	99.4mm	99.4mm
length (mm)	200mm	200mm	241mm	241mm
weight	800g	800g	1280g	1280g
ecu weight	42g			
usage temperature	-40℃~50℃			
max usable height	5000m			
maxi longitudinal overload during catapult takeoff	10g			
max allowable flight speed	300m/s			
supply voltage	3s lipo battery			
starting system	one key electronic start			
rpm range	50,000-150,000	50,000-156,000	38,000-125,000	38,000-130,000
standard thrust	58.8N	78.4N	117.6N	137.2N
exhaust temperature	750℃			
fuel consumption	200g/min	270g/min	350g/min	380g/min
fuel	aviation kerosene			
lube oil	3%-5%			
maintenance interval	25h/time			

PROJECT	SW170B	SW190B	SW220B	SW240B	SW300B
thrust	17kg	19kg	22kg	24kg	30kg
diameter (mm)	109.5mm	109.5mm	115.5mm	115.5mm	132mm
length (mm)	260mm	260mm	278.5mm	278.5mm	333mm
weight	1500g	1500g	1740g	1740g	2600g
ecu weight	42g				
usage temperature	-40℃~50℃				
max usable height	7000m				
maxi longitudinal overload during catapult takeoff	10g				
max allowable flight speed	300m/s				
supply voltage	3s lipo battery				
starting system	one key electronic start				
rpm range	38,000-114,000	38,000-118,000	38,000-115,000	38,000-118,000	38,000-98,000
standard thrust	166.6N	186.2N	215.6N	235.2N	294N
exhaust temperature	750℃				
fuel consumption	480g/min	550g/min	620g/min	780g/min	820g/min
fuel	aviation kerosene				
lube oil	3%-5%				
maintenance Interval	25h/time				

2.3 PARAMETERS OF ENGINE OPERATION CONTROL

PROJECT	SW60B	SW80B	SW120B	SW140B
pump voltage	0.6V-0.9V	0.6V-0.9V	0.7V-1V	0.7V-1V
rpm start up ramp	100%			
pump start up ramp	3			
glow plug	6.0V	6.6V	6.6V	6.6V
valve	40	40	20	20
ignition rpm	6,000 rpm	6,000 rpm	4,000 rpm	4,000 rpm
preheat rpm	10,000 rpm	10,000 rpm	6,000 rpm	6,000 rpm
rpm off starter	28,000 rpm	28,000 rpm	25,000 rpm	25,000 rpm
rpm acc	40	15	25	25
rpm dec	40	15	25	25
max rpm	150,000 rpm	156,000 rpm	125,000 rpm	130,000 rpm
idle rpm	50,000 rpm	50,000 rpm	38,000 rpm	38,000 rpm
minimum speed	35,000 rpm	35,000 rpm	33,000 rpm	33,000 rpm
max temp	1000℃			
low volt	10.0V			
restart	close			
restart glow plug	consistent with the fire head voltage			
pump limit	11V	11V	11V	11V
idle stable	5-8			

pop-up time	0.5S			
ejection voltage	4V	3.5V	4V	3.5V
run voltage	3.5V	3.5V	4V	4V
rpm stable	50			
cool	5,000 rpm			

PROJECT	SW170B	SW190B	SW220B	SW240B	SW300B
pump voltage	0.5V-1V	0.5V-1V	0.5V-1V	0.5V-1.2V	0.5V-1V
rpm start up ramp	100%				
pump start up ramp	3				
glow plug	6.6V	6.0V	6.6V	6.6V	6.4V
valve	40	40	40	40	40
ignition rpm	3,000 rpm	3,000 rpm	3,000 rpm	3,000 rpm	3,000 rpm
preheat rpm	5,000 rpm	5,000 rpm	5,000 rpm	5,000 rpm	4,000 rpm
rpm off starter	22,000 rpm	22,000 rpm	20,000 rpm	20,000 rpm	16,000 rpm
rpm acc	25				
rpm dec	25				
max rpm	114,000rpm	118,000rpm	115,000rpm	118,000rpm	98,000rpm
idle rpm	38,000rpm	38,000rpm	38,000rpm	38,000rpm	33,000rpm
minimum speed	28,000rpm	28,000rpm	28,000rpm	28,000rpm	20,000rpm
max temp	1000°C				
low volt	10.0V				
restart	close				

restart glow plug	consistent with the fire head voltage				
pump limit	11V				
idle stable	5-8				
pop-up time	0.5S	0.5S	0.5S	0.5S	0.4S
ejection voltage	4V	3.5V	4V	4V	4V
run voltage	4V	4V	4V	4V	5V
rpm stable	50	50	50	50	20
cool	5,000 rpm	5,000 rpm	5,000 rpm	5,000 rpm	4,000 rpm

note: all the data were measured under the standard air pressure

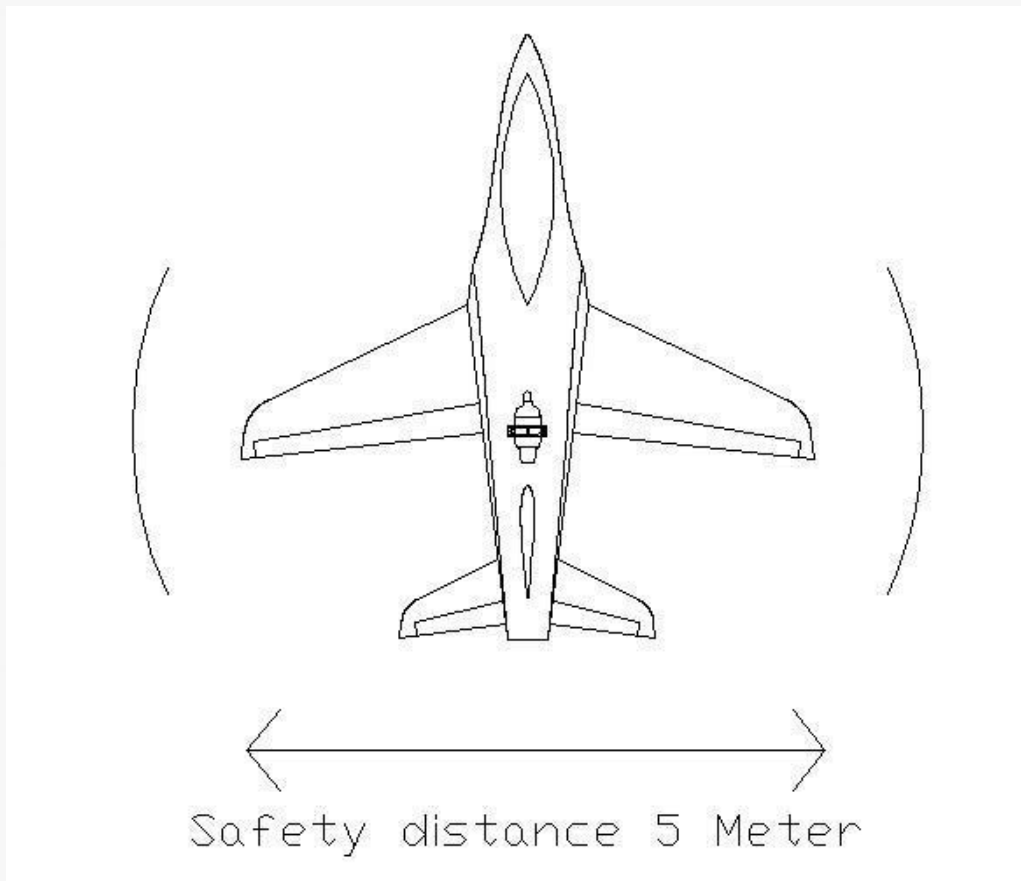
3. SAFETY INSTRUCTIONS

safety notice:

thank you for using the swiwin micro turbojet engine. the working state of the turbojet engine is essentially highly extreme mechanical work, which poses a certain degree of danger. the operator must be familiar with the operating points and recognize the risks before use. careless operation can easily cause damage to the turbojet body and personal injury. please carefully read the operating instructions in the manual and strictly follow the operating regulations. if this is your first time operating a turbojet engine, please learn how to operate it under the guidance of experienced personnel. before starting the turbojet engine for the first time, please carefully read this manual.

safe distance:

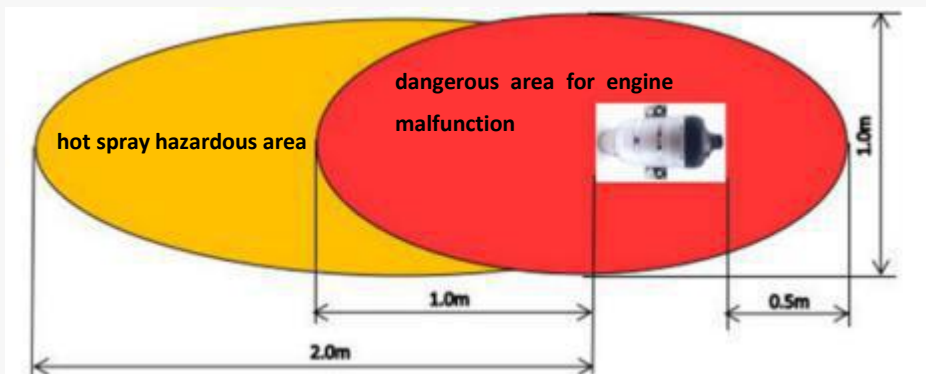
the engine operates at extremely high rotational speeds. when the engine is running, it must maintain a safe distance from the aircraft, with a distance of 3 meters in front of the engine and 5 meters on both sides.



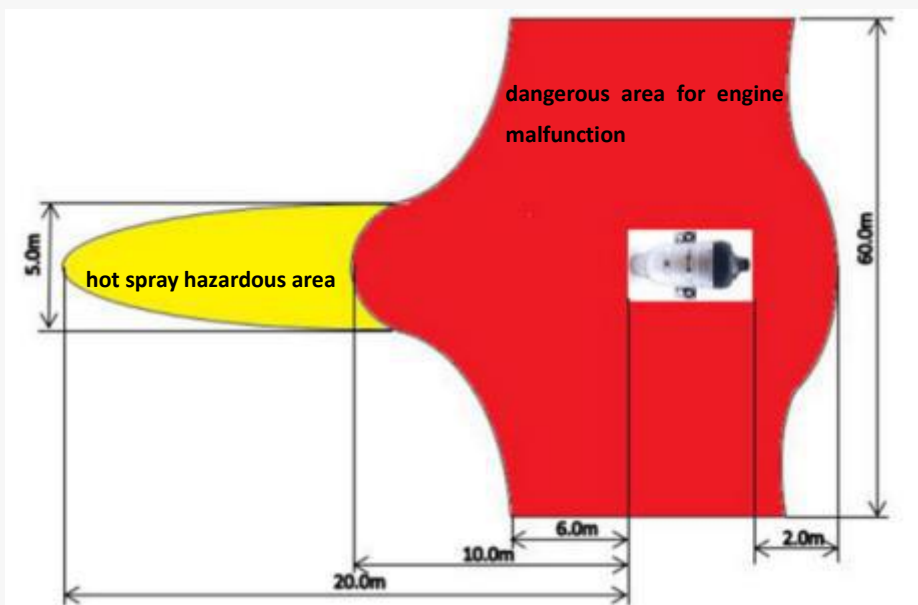
the following figure shows the hazardous areas during engine operation.

- confirm that no personnel have entered the hazardous area during operation.
- when operating the engine, safety goggles and earplugs must be worn.
- ensure that there are no debris that may be inhaled in the intake area.
- keep your fingers away from the intake area when operating the engine.
- prepare fire extinguishing equipment before operating the engine.

DANGEROUS AREAS DURING ENGINE START- UP AND IDLE



ENGINE 20% THROTTLE TO FULL THRUST DANGER ZONE



4.INSTALLATION AND DEBUGGING

SWIWIN MODEL VERSION (B SERIES) ENGINE INSTALLATION FIXED ENGINE







the model version engine is equipped with dedicated fixing clamps. before operating the engine, the clamp has already been installed on the engine. you only need to fix the clamp on the test bench. pay attention to the optimal installation position of the engine: rotate the engine to make the oil inlet at the 12 o'clock position.








5. ENGINE USAGE INSTRUCTIONS

5.1 LIST OF ENGINE ACCESSORIES

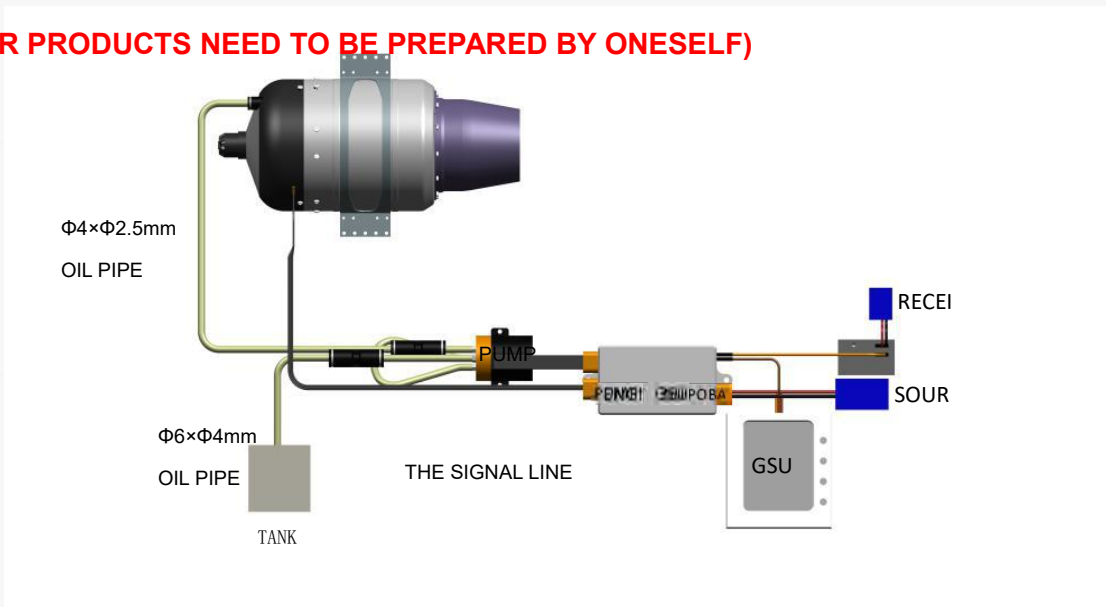
open the package, the list of engine accessories is as follows

 <p>Engine body</p>	 <p>ECU (V3)</p>	 <p>GSU</p>
 <p>Fixed bracket</p>	 <p>Fuel Pump</p>	 <p>Oil filter</p>

 <p>ball valve</p>	 <p>Power line</p>	 <p>Signal line</p>
 <p>Throttle line</p>	 <p>Tubing</p>	

5.2 OVERVIEW OF ENGINE CONNECTIONS

OPEN THE PACKAGING, FAMILIARIZE YOURSELF WITH EACH COMPONENT, AND CONNECT THEM AS SHOWN IN THE FOLLOWING DIAGRAM(REMOTE CONTROL AND RECEIVER PRODUCTS NEED TO BE PREPARED BY ONESELF)



explain:

1.if your order has no special requirements, the default accessory only supports remote control startup.

2.oil connection: the accessories included with the box have prepared two types of tpu oil pipes for you, namely, $\phi 6 * \phi 4 \text{mm}$ and $\phi 4 * \phi 2.5 \text{mm}$. the $\phi 6 * \phi 4 \text{mm}$ oil pipe is used to connect the inlet pipe of the fuel tank and the oil pump, and the $\phi 4 * \phi 2.5 \text{mm}$ oil pipe is

used to connect the engine inlet quick connect plug and the oil pump outlet pipe.

attention: after connection, pay attention to checking the tightness of all oil pipe connection points and ensure the cleanliness of the oil circuit.

3. circuit connection:

signal line: connect the engine and ecu v3 "ENGINE" interface.

oil pump line: connect the oil pump to the ecu v3 "PUMP" interface.

throttle cable: connect the ecu v3 "PPM" interface to the receiver signal channel.

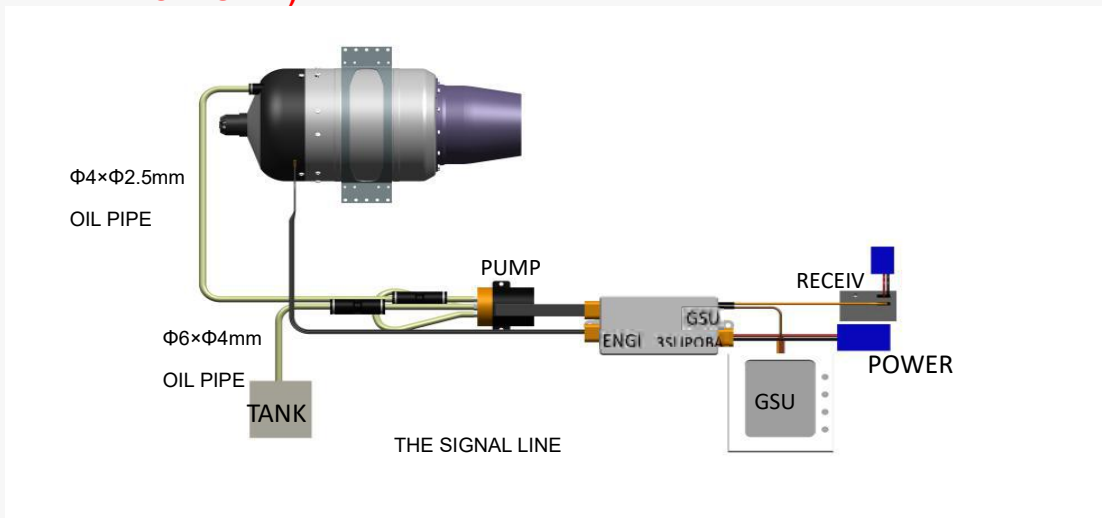
power cord: connect the ecu v3 "3S LIPO BATT" interface to the dc power supply.

GSU: connect ecu v3 "GSU/PC" interface.

note: after the above connections are completed and powered on, the engine will emit a connection completion music prompt.

5.3 INSTRUCTIONS FOR CONNECTING ENGINES WITH DIFFERENT STARTING MODES

INSTRUCTIONS FOR CONNECTING AND STARTING THE ENGINE CONTROLLED BY A REMOTE CONTROL (REMOTE CONTROL AND RECEIVER PRODUCTS NEED TO BE PREPARED BY ONESELF)



explain:

the engine is firmly fixed and connected to the engine, ecu, and oil circuit according to the diagram.

after all wire harness connections are completed, the ecu light emits a blue flashing prompt, indicating that the connection is intact. after connecting the engine, if there

are no commands, the engine will intermittently emit a "beep" prompt sound.

1. determine the power supply voltage before connecting the engine. the model version engine uses 3s li po batteries. pay attention to the remote control receiver battery meeting the requirements (generally choose 2s lithium battery), excessive voltage can burn out the receiver.

2. follow the instructions for using the remote control to complete the frequency matching between the remote control and the receiver.

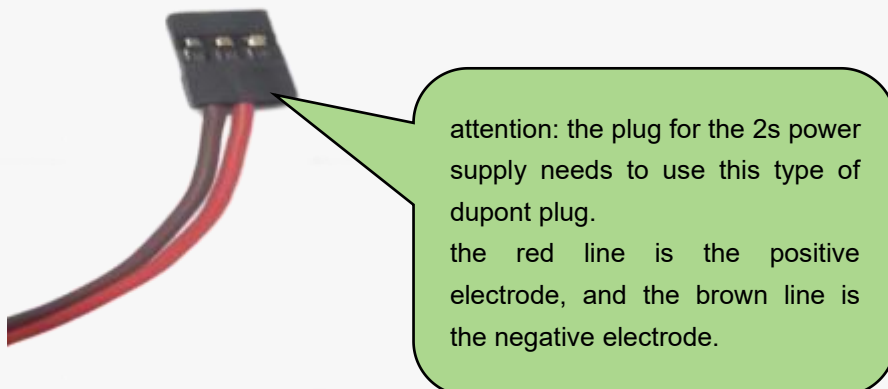
3. use the monitor (gsu) to calibrate the remote control and engine throttle.

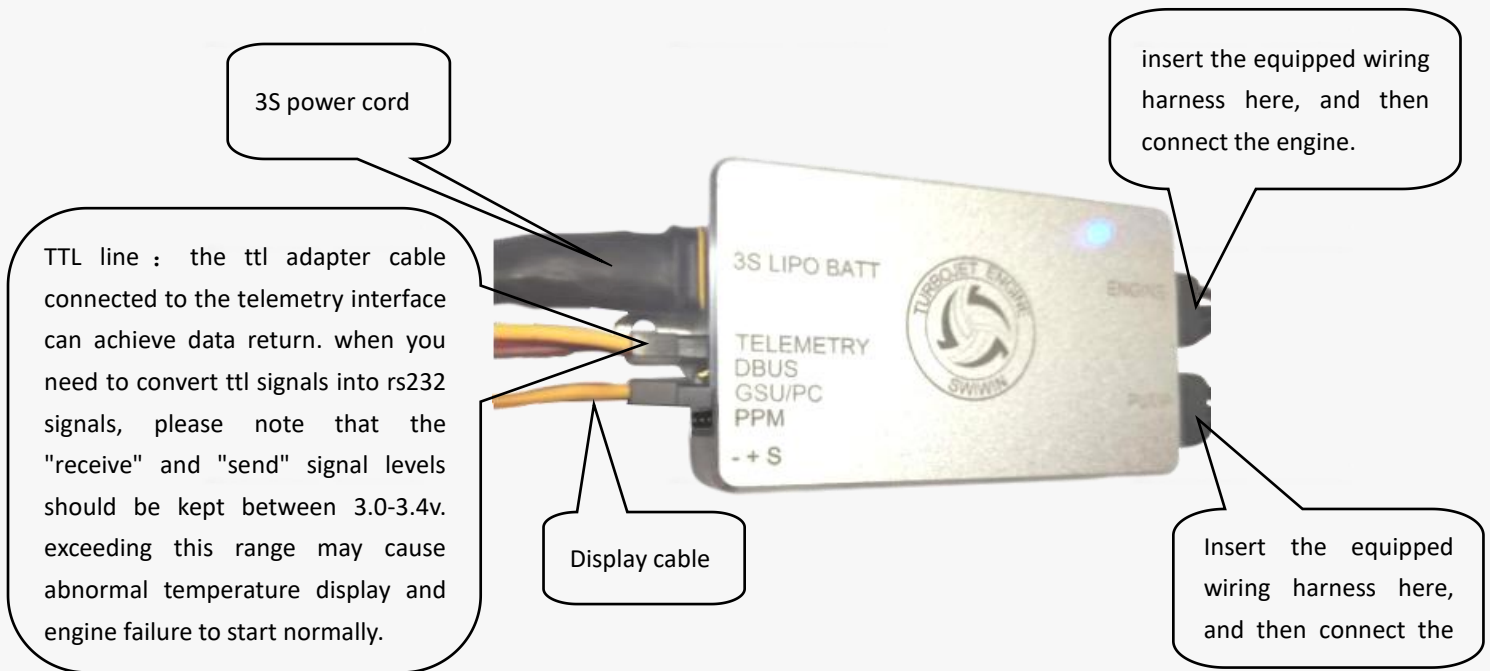
after calibration is completed, use the gsu testing function to test the main fuel pump. press and hold the "test main fuel pump" button until the fuel line is filled with fuel. pay attention to stopping the fuel pump immediately when the fuel level enters the engine to prevent a large fire from spraying when the engine starts with rich fuel inside.

4. the engine starting process is divided into four stages: ignition, preheating, acceleration, and operation, which can be observed through the gsu during ground testing. before stopping the engine, first reduce the speed to idle, then adjust the remote control throttle lock to the cooling mode, and the engine will automatically cool down. the engine can be restarted in both cooling and shutdown states.

5. when using the remote control and connecting the ppm to the receiver, the signal level remains at 3.0-3.4v. exceeding this range may cause abnormal temperature display and prevent the engine from starting normally

INSTRUCTIONS FOR CONNECTING AND STARTING THE ENGINE CONTROLLED BY TTL SERIAL PORT TOOL





the ttl serial port control method can achieve computer control of the engine.

explain:

connect the engine, ecu, and oil circuit according to the diagram above.

1. connect the ttl adapter cable usb plug to the computer, and connect the dupont connector to the telemetry interface of ecuv3. pay attention to the insertion direction, align the brown wires of the two plugs (with the yellow wire facing up).

2. it is recommended to choose zk software to control the engine. the software can be obtained for free by contacting swiwin after-sales service.

3. the above operations are normal, and the zk software interface displays the engine parameters, indicating normal feedback.

first, use the testing function to test the main oil pump and exhaust the air inside the oil pipe. pay attention to the fuel level entering the engine and immediately stop pumping oil to prevent the engine from spraying large flames when starting with rich fuel inside.

4.the engine starting process is divided into four stages: ignition, preheating, acceleration, and operation, which can be observed through the gsu during ground testing. before stopping the engine, reduce the speed to idle first, and then click "stop cooling" to

automatically cool down the engine. the engine can be restarted in both cooling and shutdown states.

5.4 ONE CLICK START

ecu v3 version submission 2.1.16/1.00.28 or above;

gsu submission above 1.3.26

install the gsu "+" and "-" keys simultaneously for 3 seconds. on the monitor startup interface, select "start engine".

- ① *after sending the startup command, if there is no startup within 3 seconds, the control will automatically exit;*
- ② *after entering the startup mode, the gsu "+" and "-" keys can be used to control the engine speed, with "10%" in gear 1, for throttle control;*
- ③ *after entering the startup mode, press the "c" key to immediately stop and cool down;*
- ④ *after entering the startup mode, the throttle progress bar flashes continuously.*

5.5 GSU USER MANUAL

gsu is a terminal for displaying and editing engine parameters, which can be connected or disconnected from the engine at any time. even during engine operation, you can adjust some engine parameters through gsu.

CONNECTION OF GSU

the gsu is connected to the engine through the ecu, and its connection interface is a dupont head, which is connected to the display cable interface on the ecu. after connection, the gsu displays the following interface to indicate successful connection.

GSU USER MANUAL

the default language for gsu factory settings is simplified chinese. if you need to modify it, select "language" in the settings interface. there are 4 options: english, simplified chinese, traditional chinese, and spanish.

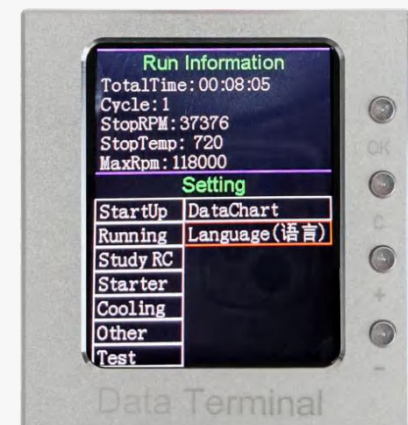


METHOD OF CALIBRATING REMOTE CONTROL

before starting the engine, use the gsu testing function to confirm whether all hardware is working properly. the testing method is to select the test item and click the "ok" button. during the test, the solenoid valve made a clicking sound, and the motor started to drive the impeller to rotate normally. finally, when testing the fuel pump, it can be observed that the fuel level is flowing towards the interior of the engine, indicating that the fuel pump is working properly.



click "ok" on the initial interface to enter the settings interface. the first time using the engine, the main functions are "study RC" and "test". the other parameters have already been debugged to the best state when they are sent out, please do not change them arbitrarily.



METHOD OF TESTING THE ENGINE

confirm that the throttle lock on the remote control is open before calibration.

select the calibration remote control on the monitor to enter the following interface.

click on 'max', push the throttle lever to the maximum, and click 'ok' to complete 100% throttle calibration.

click "standby", push the throttle lever to the minimum, and click "ok" to complete the idle calibration.

turn off the throttle lock, click "min", push the throttle lever to the minimum, and click "ok" to complete the shutdown state calibration.

after completing the above operations, the gsu returns to the initial interface, pushes the throttle control lever, and observes the rc value changing with the throttle, indicating that the remote calibration is successful.



PREPARE TO LAUNCH THE INTERFACE

the engine operation interface consists of three parts: the top part shows the parameters of the previous engine operation. the middle section displays the engine operating status, with green font for normal status and red font for abnormal error messages. the bottom section displays real-time data on engine rpm, temp, pump, pc.



ENGINE START INTERFACE

pump voltage: controls the starting oil output, the higher the voltage, the more oil is supplied.

rpm startup ramp: refers to the slope of the increase in starting motor speed during the period from ignition to clutch disengagement. the higher the slope, the faster the speed increase.

pump startup ramp: refers to the fuel supply slope of the oil pump during the engine start-up phase. the higher the slope value, the greater the fuel supply.

glow plug: the voltage value supplied to the ignition head during engine ignition generally does not exceed 7v.

valve: when the engine is ignited, it controls the amount of oil in the ignition oil circuit. the higher the oil threshold, the longer the opening time, and the more fuel is supplied.

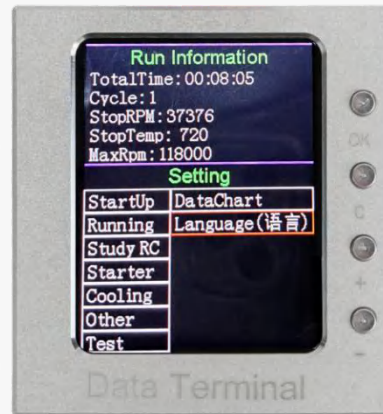


in addition to the above instructions, if you need to set other parameters, you can contact swiwin after-sales service to help you solve the problem.

TEMPERATURE CORRECTION

during the engine start-up process, the ecu controls the engine operation by judging the built-in temperature sensor. if the temperature sensor inside the engine differs significantly from the ambient temperature, it will affect the ecu's judgment and require the use of gsu for temperature calibration of the engine.

on the gsu main interface,select"other"

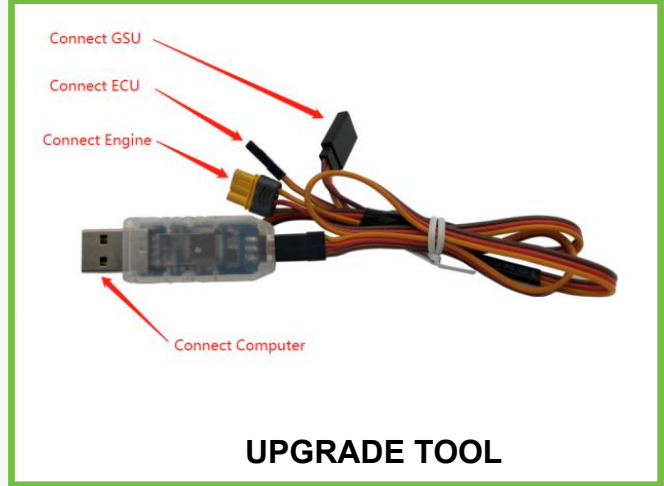


select 'ad just temp' and click '+-' to adjust the temperature up and down, keeping the corrected temperature consistent with the ambient temperature.



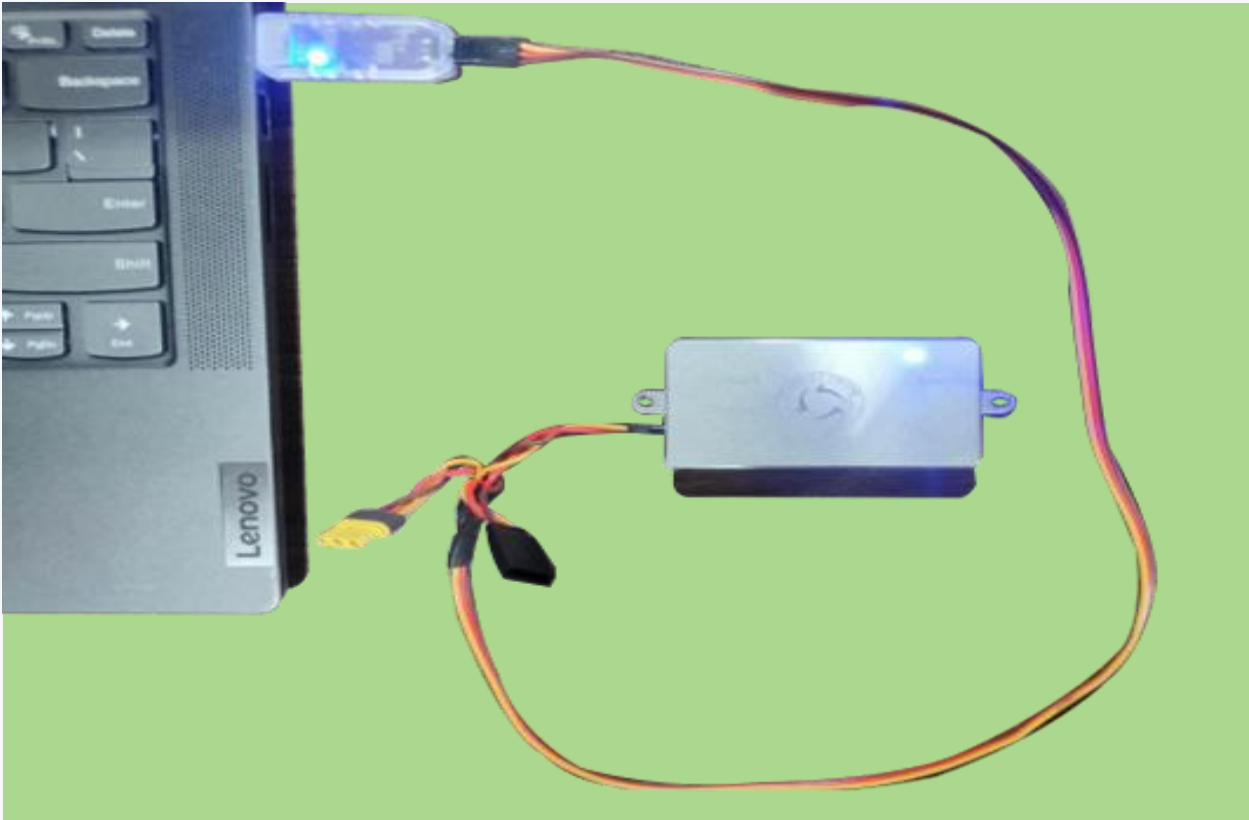
5.6 ECU USAGE INSTRUCTIONS

hardware preparation: the following hardware is required for downloading or changing settings and parameters of ecu (v3) data

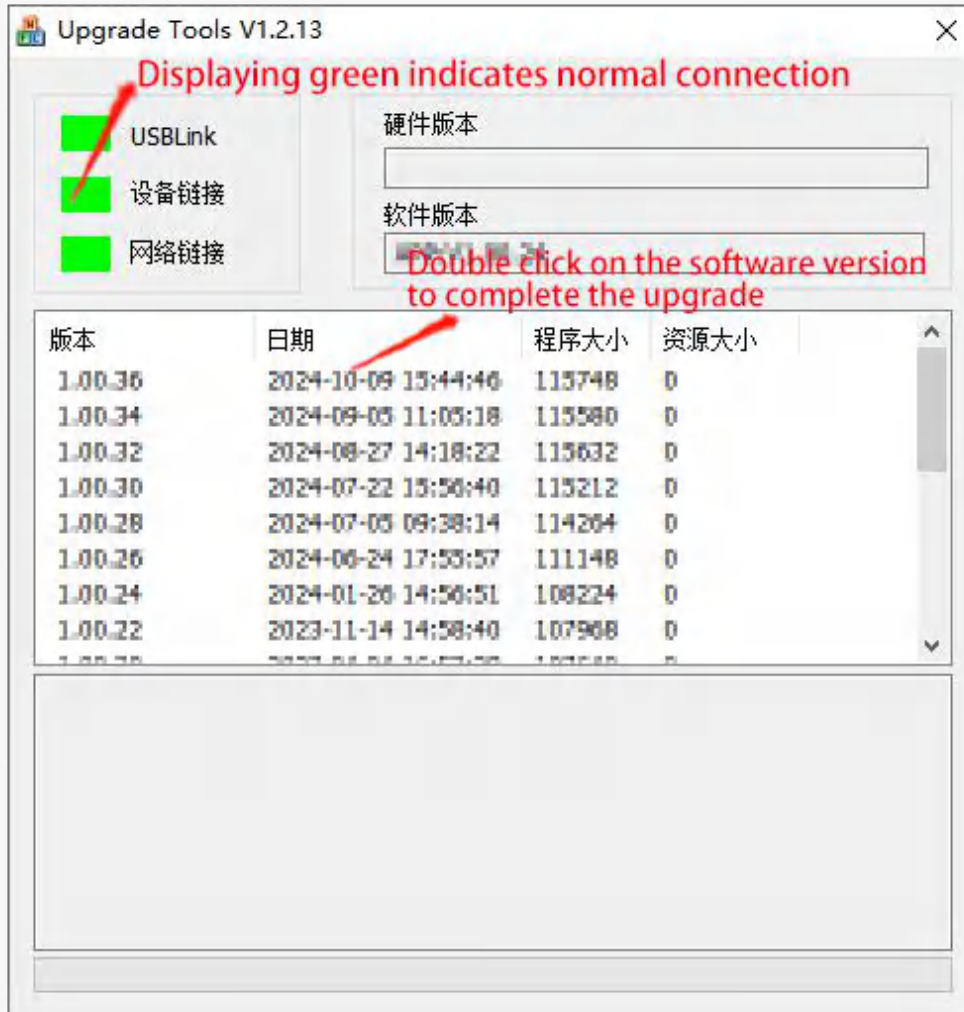


CONNECT

connect as shown in the diagram, connect the gsu/pc socket of the ecu through the upgrade device, and then connect it to the computer.



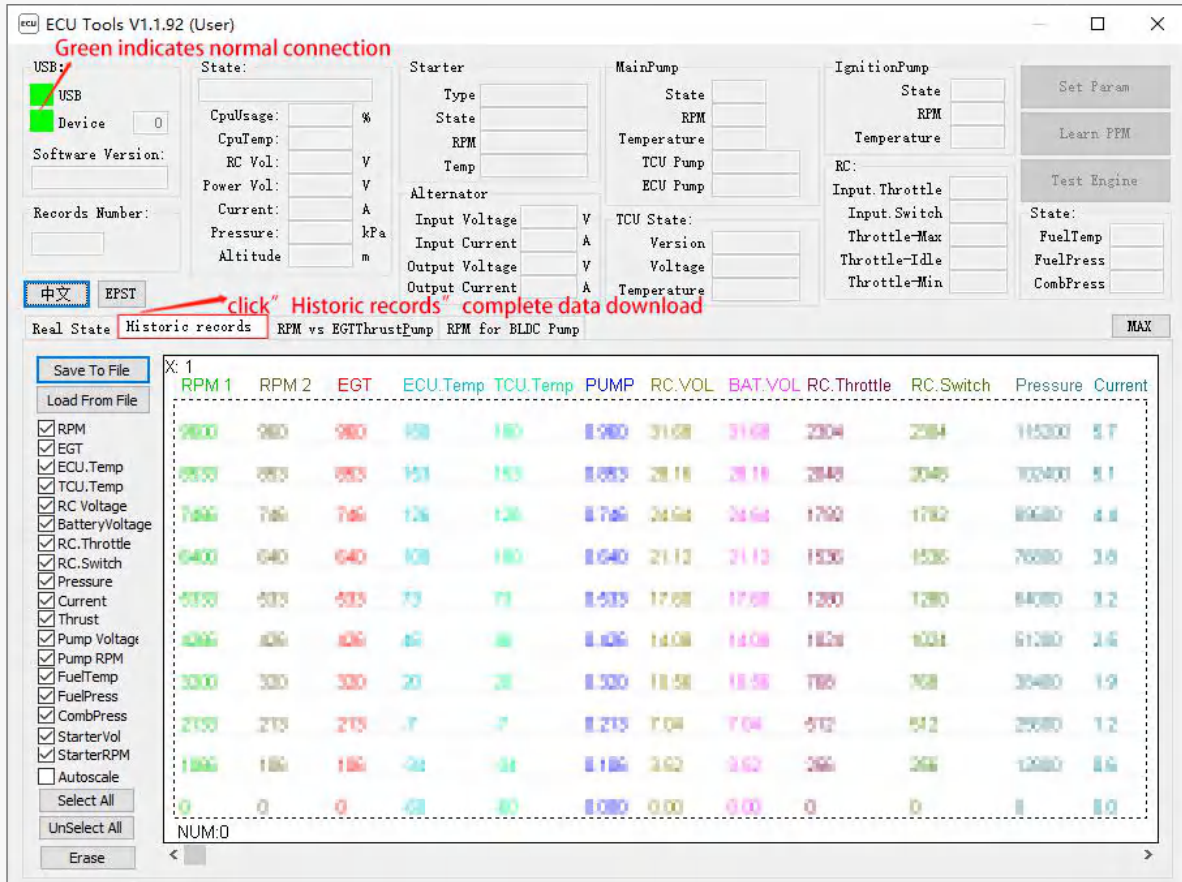
SOFTWARE UPGRADING



1. after the hardware is ready, log in to the swiwin website <http://www.swiwin.com> download upgrade tools.

2. open upgrade tools to upgrade the software, double-click to select the corresponding software version, and wait for the upgrade to complete.

DATA DOWNLOAD



Green indicates normal connection

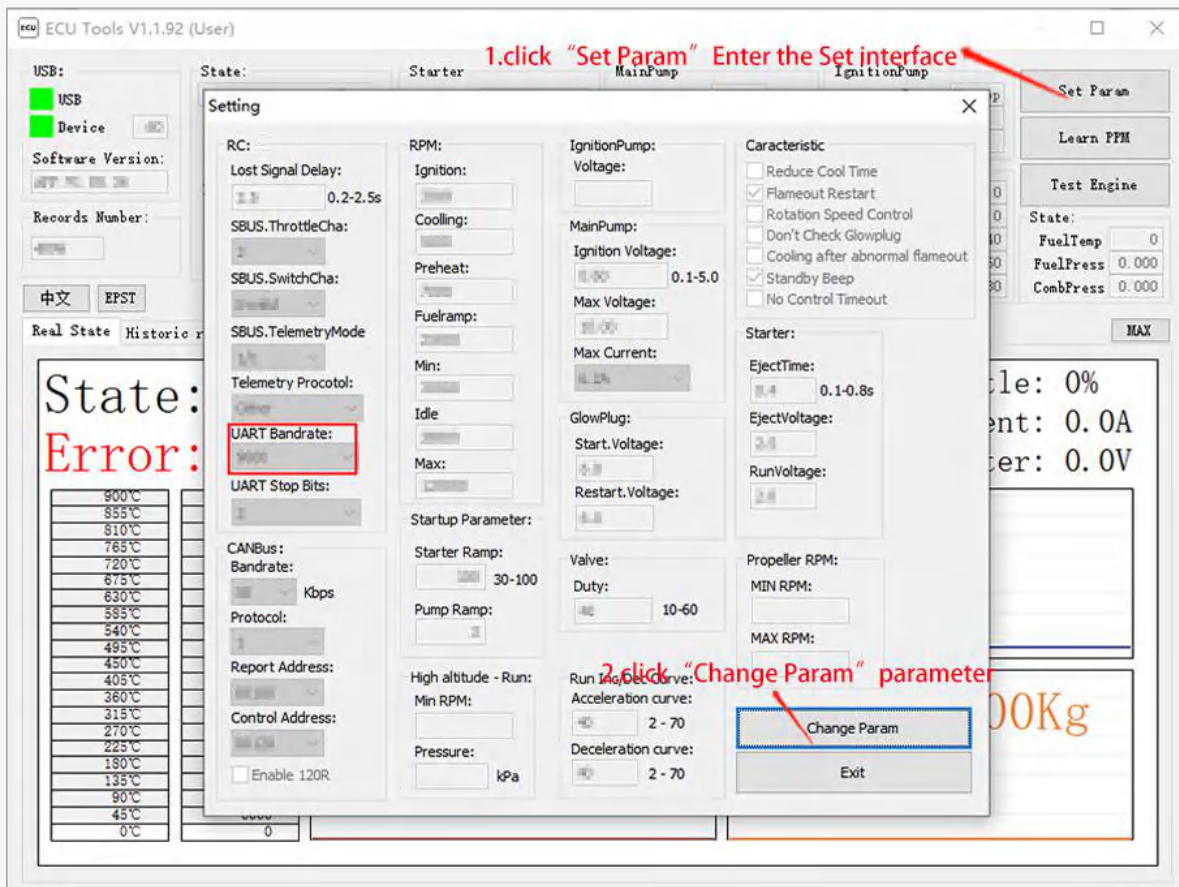
click "Historic records" complete data download

RPM 1	RPM 2	EGT	ECU.Temp	TCU.Temp	PUMP	RC.VOL	BAT.VOL	RC.Throttle	RC.Switch	Pressure	Current
980	980	980	158	180	0.980	31.68	31.68	2304	2384	115300	5.7
980	980	980	151	183	0.980	28.18	28.18	2848	3048	100400	5.1
766	766	766	126	138	0.766	24.64	24.64	1760	1782	89680	4.8
640	640	640	108	180	0.640	21.12	21.12	1530	1538	70880	3.8
500	500	500	73	73	0.500	17.68	17.68	1280	1280	54080	3.2
406	406	406	46	46	0.406	14.08	14.08	1024	1031	51280	2.6
300	300	300	20	28	0.300	10.58	10.58	780	768	30480	1.9
210	210	210	7	7	0.210	7.04	7.04	512	512	20880	1.2
186	186	186	-24	-24	0.186	3.62	3.62	266	266	12880	0.6
0	0	0	-68	-60	0.080	0.00	0.00	0	0	0	0.0

1. after the hardware is ready, log in to the swiwin website <http://www.swiwin.com> download ecu tools (user) software.

2. open the ecu tools (user) software, click on "history" and wait for the data to load, then click on "save data" to complete.

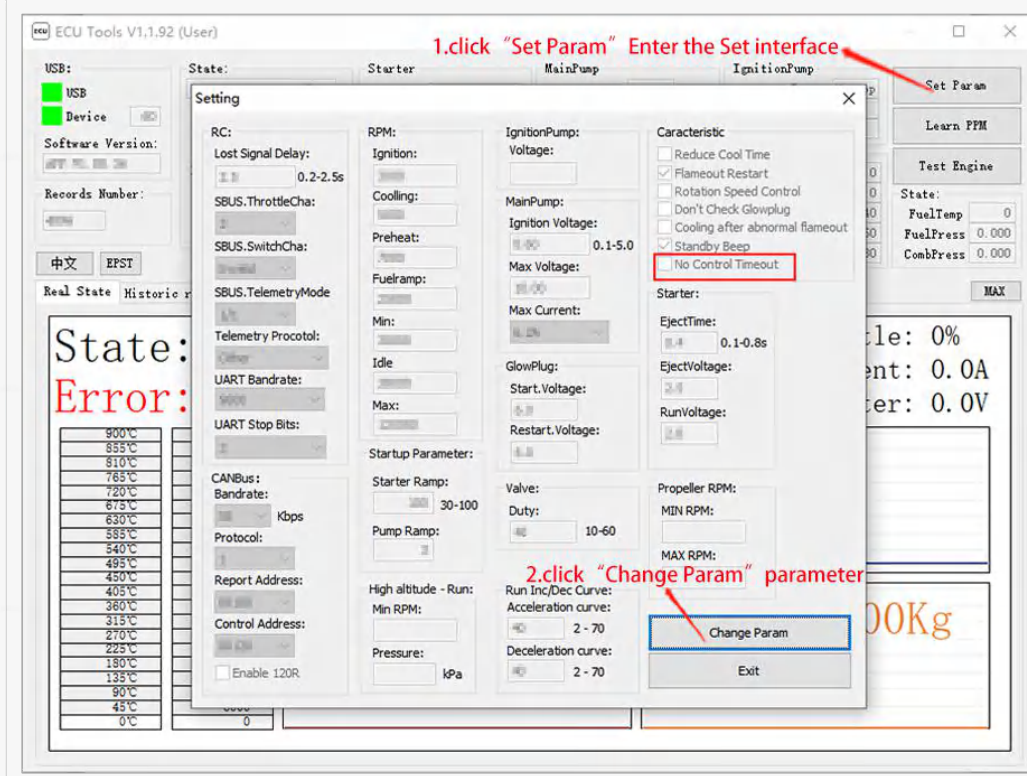
MODIFY BAUD RATE/CHANGE SETTING PARAMETERS



1. after the hardware is ready, log in to the swiwin website <http://www.swiwin.com> download ecu tools (user) software.

2. open the ecu tools (user) software, click "set parameters" to open the settings interface, and click "modify" to modify the settings and parameters.

CANCEL REMOTE CONTROL SIGNAL LOSS MONITORING



open the ecu tools (user) software, click on "set parameters", in the "characteristic parameters" column, check "cancel remote control signal loss monitoring". attention: after selecting "cancel remote control signal loss monitoring", the ecu will continue to execute the last command of the engine after receiving the signal interruption. if "cancel remote control signal loss monitoring" is not selected, the engine will stop directly after 2.5 seconds of signal interruption and immediately enter the cooling state.

you can also use the same method to change "acceleration cooling", "shutdown restart", "speed closed-loop control", etc.

note: at the factory, all parameters and characteristic parameters of the engine have been set according to the engine performance and customer requirements. please make sure to communicate with swiwin after-sales personnel before making any changes.

6. ENGINE DEBUGGING

6.1 SET OPERATION MODE

before running the engine for the first time, please check if the desired engine starting method has been set. you can prepare the necessary tools in advance based on the chart below.

STARTING MODE	REQUIRED SOFTWARE/HARDWARE	WIRING HARNESS CONNECTION
TLL SERIAL PORT START	ZK V0.1.32	2S LITHIUM BATTERY + TLL SERIAL PORT TOOL+COMPUTER
REMOTE CONTROL	REMOTE CONTROL, RECEIVER	SIGNAL LINE

choose the correct battery type

b-series engine power supply voltage requirement: 12.5v. (3s li-p0 polymer lithium battery)

6.2 CHECKLIST

preparation before starting the engine

- *check the battery voltage.*
- *prepare at least one CO₂ fire extinguisher.*
- *check the fuel pipeline to ensure that it is clean, unobstructed, and not bent. ensure that the fuel tank to ecu and ecu to engine section oil pipes are filled with fuel and there is no rich fuel inside the engine. ensure that the intake valve of the fuel tank is open. if there is no intake valve in the fuel tank or the intake valve is not open, it will cause the oil circuit to be blocked and the engine to fail to start.*
- *determine that 3% -5% lubricating oil is mixed in the fuel.*
- *the fuel tank is full, and the fuel consumption of the model engine is 0.3-0.9l/min. the sufficient fuel level will be determined based on the flight time you have booked.*
- *the wiring harnesses of the engine are connected correctly, the throttle calibration of the remote control is normal, and the data transmission from the handheld terminal/ground station is normal.*

- *the engine is firmly fixed, the surrounding environment is safe, and there are no debris near the engine intake.*

6.3 ENGINE START AND STOP

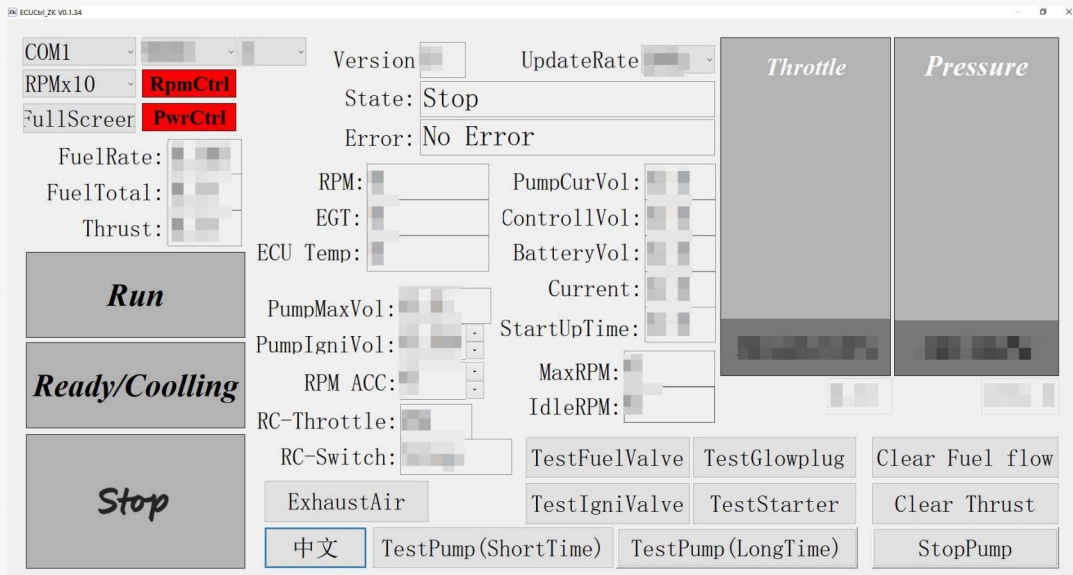
the startup checklist has been checked and all wiring harnesses of the engine have been connected. the engine can now be started.

6.4 STARTING AND STOPPING WITH REMOTE CONTROL

- *before starting, use the monitor (gsu) to calibrate the remote control and engine throttle. after calibration is completed, use the gsu testing function to test the main fuel pump. press and hold the "test main fuel pump" button until the fuel line is filled with fuel. pay attention to stopping the pump immediately when the fuel level enters the engine to prevent the engine from becoming rich in fuel and spraying a large flame when starting. press and test the ignition solenoid valve and main solenoid valve. if you hear a "click click" sound, it indicates that the solenoid valve is functioning properly. test the starter motor (rotating the impeller clockwise) and the ignition head (using the gsu test function interface to detect current changes), and determine that all engine components are working properly before starting the test.*
- *before starting, the remote control throttle lever is in the minimum position, and the throttle adjustment is in the stop position. adjust the throttle to modulate the start gear, and the engine will start to ignite.*
- *the engine starting process is divided into several stages: preparation for starting, ignition, preheating, and acceleration. start successfully, engine speed reaches and maintains idle.*
- *after the engine reaches idle speed, the engine speed is controlled by adjusting the throttle through the throttle lever. 100% throttle corresponds to the maximum engine speed. note that the new machine should slowly accelerate to maximum speed and run steadily during its first operation, so that the ecu can learn the throttle.*
- *before the engine stops running, first adjust the throttle lever to the minimum. after the engine speed drops to idle, fine tune the throttle to the shutdown cooling gear, and the engine will automatically cool down and dissipate heat. during cooling, the starting motor of the engine will drive the*

compressor wheel at a lower constant speed until the exhaust temperature drops below around 100 °C, at which point the engine will shut down.

6.5 PC SIDE CONTROLS START AND STOP



- open the zk software. click on 'throttle control', and all parameters on the zk interface will return normally. click 'start' to start. if there is no feedback on the zk interface, click the button in the upper left corner of the page to select a different com channel or check the compatibility between the serial port tool and the computer.
- after confirming the feedback, use the gsu testing function to test the main fuel pump. press and hold the "test main fuel pump" button until the fuel line is filled with fuel. pay attention to stopping the pump immediately when the fuel level enters the engine to prevent the engine from becoming rich in fuel and spraying a large fire when starting. press and test the ignition solenoid valve and main solenoid valve. if you hear a "click click" sound, it indicates that the solenoid valve is functioning properly. test the starter motor (rotating the impeller clockwise) and the ignition head (using the gsu test function interface to detect current changes), and determine that all engine components are working properly before starting the test.
- click "start" to start the engine. after reaching idle speed, control the engine speed through the throttle lever, and click "stop/cooling" to stop the engine.

7. ENGINE OPERATING STATUS AND FAULT DESCRIPTION

DISPLAY NAME	EXPLAIN
stop	the remote control fine-tuning is in the off gear or the engine control software has not sent a start command to the ecu.
get ready to start	the engine ecu receives the start command, and the engine is ready to start. this stage is very short, and the display shows that the engine will immediately enter the ignition state after the start is ready.
ignition	when in ignition state, the engine spark plug is energized, the ignition solenoid valve opens, the engine completes ignition, and the starter motor drives the engine to reach ignition speed, causing the internal temperature of the engine to rise.
preheat	entering the preheating state, the starter motor continues to drive the engine speed to increase by 1000-2000 revolutions per minute, and the internal temperature of the engine continues to rise.
accelerate	entering the acceleration phase, the starter motor continues to drive the engine speed to increase to the clutch disengagement speed, the starter motor stops working, the internal temperature of the engine reaches above 100 °C, and ignition is successful.
function	after the acceleration phase is completed, the engine speed reaches idle, and thereafter, the engine speed needs to be controlled through the throttle, with 100% throttle corresponding to the maximum engine speed.
cooling	adjust the remote control to the shutdown cooling gear, and the engine starter motor drives the compressor wheel to run at a lower constant speed until the internal temperature of the engine drops below 100 °C, and then the engine stops.
engine not detected	the connection between the engine and ecu is disconnected.
engine type	gsu running interface, the white box below the logo shows the engine model.
time	indicates the total time the engine has been running this time
acc	indicates the time it takes for the engine to reach maximum speed from idle, which can be adjusted by changing the acceleration/deceleration curve.

speed	gsu operation interface, "speed" indicates the real-time speed when the engine is running.
temperature	gsu operation interface, "temperature" represents the real-time internal temperature of the engine during operation.
oil pump power	on the gsu operation interface, "oil pump" represents the real-time oil pump power during engine operation.
remote control throttle	gsu operation interface, "remote control" represents the real-time throttle status during engine operation.

8. COMMON PROBLEM ELIMINATION

8.1 COMMON PROBLEM ELIMINATION

PROBLEM DESCRIPTION	CAUSE ANALYSIS	REMEDIAL MEASURES
engine ignition failed	the fuel pipe is not filled with fuel in advance, or the pipe is bent or blocked spark plug malfunction	fill the fuel pipe with fuel using the gsu testing function when using the gsu "test flame", there is no current displayed or no bright spot can be observed from the tail nozzle. in this case, contact swiwin after-sales service to return to the factory for repair
engine startup failure	low battery starting motor malfunction spark plug malfunction	battery charging depot repair depot repair
the throttle does not match the actual engine speed	remote control calibration not performed	re calibrate the remote control
starting motor slips and produces abnormal noise	there is fuel on the contact surface between the compressor nut and the starter motor clutch rubber ring rubber ring wear	clean the rubber ring with a cotton swab dipped in alcohol or cleaning agent replace the rubber ring

engine ignition successful but startup process aborted	there are bubbles in the fuel supply pipe the oil pump is not working	oil circuit leakage, check all quick connectors
unstable exhaust temperature or engine speed	remote control antenna signal is interfered with	identify sources of interference
z software has no data feedback	the power is not turned on signal line connection not in place/incorrect connection the computer does not have drivers installed the signal channel does not match the actual situation	turn on the power check if all plugs are connected properly, and if the serial port tool and signal cable 232 are connected correctly contact swiwin after-sales service to obtain drivers and install them unplug the usb plug from the computer, check the device manager, open the zk software, and select the corresponding signal channel

8.2 ECU ERROR FAULT ANALYSIS

during the operation of the engine, if there is a signal malfunction, the ecu will automatically report an error. the following table explains these faults.

ERROR NAME	EXPLAIN
overtime	during ignition: temperature remains unchanged for 20 seconds forced cooling: time exceeding 60 seconds
low battery voltage	the voltage of the power battery is lower than the minimum value (the minimum value can be modified) the voltage of the remote control receiver is below 4v
fire head malfunction	no flame current detected
abnormal oil pump	unable to connect to the oil pump motor controller (only

	supported on brushless motor version)
starting motor malfunction	during ignition: the engine speed cannot reach the ignition speed
low rotational speed	when igniting: the engine speed drops to 50% of the ignition speed during preheating: the engine speed drops below the ignition speed when accelerating: the engine speed drops below the warm-up speed during operation: the engine speed is lower than the set minimum speed
unstable rotational speed	during acceleration: engine rpm fluctuates up and down during acceleration: the engine speed drops significantly
high temperature	during ignition: the exhaust temperature is greater than the set maximum temperature value during preheating: the exhaust temperature is higher than the set maximum temperature value during acceleration: the exhaust temperature is greater than the set maximum temperature value for 4 seconds
low temperature	during preheating, there is a significant decrease in exhaust temperature during acceleration, there is a significant decrease in exhaust temperature
temperature sensor malfunction	during operation: exhaust temperature below 200 degrees celsius
lost remote control signal	remote control input signal lost, time exceeds set value
high starting motor temperature	the temperature of the starter motor controller is too high (only supported in the brushless motor version)
high oil pump temperature	the temperature of the oil pump motor controller is too high (only supported in the brushless motor version)
current overload	the working current of the ecu exceeds the design limit, and the current limit of different versions of the ecu varies
engine offline	ecu did not detect engine connection (only supported by bus controller version)

9.COMPATIBILITY

if using zk or flight control software to control the engine, the connection between the engine and your device involves compatibility issues.

9.1 COMPATIBILITY OF SERIAL PORT ADAPTER CABLE CONNECTORS

NAME	PERFORMANCE INDEX	COMPATIBILITY
rs232 adapter yh1-b232	usb2.0, compatible with usb1.1 supports rs232 three wire serial port interface usb bus for direct power supply without the need for an external power source equipped with a set of 5v/500ma power outputs	support computer systems: windows 2000, windows xp, windows server 2003 (32, 64 bit)/vista/windows 7 (32, 64 bit) windows 8、 windows10

9.2 UPGRADER COMPATIBILITY

NAME	PERFORMANCE INDEX	COMPATIBILITY
upgrade (zk-link v1.4)	-----	supported computer systems: windows7、 windows 8、 windows10

10. STORAGE AND LUBRICATION

all models of engines from swiwin company can use kerosene or diesel as fuel, and are mixed with 3% -5% lubricating oil. this mixed lubricating oil is also used in the bearing lubrication system, and it is recommended to use swiwin brand or mobil pegasus no.2 lubricating oil.

the engine has been stored for more than 3 months. to prevent bearing corrosion, it is recommended to lubricate the engine thoroughly with fuel, place it vertically, and seal it with

a sealed bag. if there are ground testing conditions, ignition testing can provide better maintenance for the engine. if necessary, you can also contact after-sales personnel to return to the factory for maintenance.

11. ENGINE MAINTENANCE AND UPKEEP

the maintenance requirements and cycle of the product, including cleaning, replacement of parts, etc.

1. maintenance plan: regularly inspect and replace lubricating oil, air filters, and other components of the engine.

2. daily maintenance: regularly check the fastening of various connecting parts and pipelines of the engine, and clean the surface of the engine.

3. troubleshooting: if encountering problems such as decreased engine performance or abnormal noise, follow the maintenance manual and troubleshooting process for operation.

every hour of engine operation, please check the following:

- *is there any burning or discoloration on the engine casing.*
- *is the engine mount intact.*
- *is the air inlet and impeller intact.*
- *is there any leakage in the oil system and is the oil filter clogged.*
- *bearing: manually rotate the rotor and carefully distinguish the bearing sound. if there is a "rustling" sound, the bearing may be slightly damaged due to impurities or improper cooling. it is recommended to use clean fuel or replace the oil filter. if the bearings are clearly damaged after inspection, it is prohibited to use the engine again. you can log in to the swiwin official website and contact after-sales personnel to replace the bearings.*

*maintenance cycle: the regular maintenance cycle for the model version engine is **25 hours per accumulated operating time.***

12. AFTER SALES SERVICE

limited liability warranty

the service life of a turbojet engine is directly related to the operating environment and operating techniques. the turbojet engine uses the simplest structure to achieve the most

extreme working state, and each component is designed and produced to the extreme. the working conditions are extremely harsh. do not disassemble the intake duct and main shaft structure by yourself. once the turbojet engine is disassembled, it must be precisely reinstalled according to specifications to achieve its original performance. random assembly will cause the turbojet body to lose balance, and high-speed operation will cause serious consequences.

buyers of new swiwin engines are entitled to a one-year or 25 hour natural damage warranty. if you encounter any questions or operational issues during use, please contact the sales department.

if you need the engine to be returned to the factory for maintenance and repair, please log in to the official website of swiwin company <http://www.swiwin.com> or "swiwin power" official account to contact customer service, fill in the engine maintenance application form, and prepare the following relevant contents:

ENGINE MAINTENANCE APPLICATION FORM			
NAME		THE DATE OF ISSUANCE	
Shipping Address			
Fault Description	_____ Model:		
Other Service Requirements	<input type="checkbox"/> Technical Consultation <input type="checkbox"/> Engine Maintenance <input type="checkbox"/> Accessories Procurement		

SWIWIN TURBOJET EQUIPMENT CO.,LTD

Tel: 15531598038

Email: swiwin@foxmail.com

Web: <http://www.swiwin.com>

Add: 66 Jianye East Road, High-tech district,
Baoding, Hebei, China

